



Permit No. _____

Township of Spring

Curb / Sidewalk / Driveway Apron Application

Applicant's Name _____ Phone No. _____

Applicant's Address _____ Applicant's email _____

Property Owners Name _____ Owners Phone No. _____

Owners Address _____

Location of proposed Work _____

Type of Work: New Replacement

Type of Work: Sidewalk Curbing Driveway Apron

1. Area of work? _____ sq. ft. 2. Width _____ ft. 3. Length _____ ft.

4. Thickness of concrete? _____ in. 5. Compressive strength of concrete? _____ psi

6. Thickness of stone base? _____ in. 7. Reinforcement YES NO

Project Narrative, please describe the work to be performed: _____

Sidewalk Construction Notes

The minimum width of sidewalk shall be 4 feet unless otherwise specified. A grass area shall separate the sidewalk from the curb unless otherwise specified. The stone base for sidewalks shall be a minimum 4 inch depth of 2B Stone except for sidewalks within driveways the depth shall be 6 inches of 2b stone. The minimum thickness of concrete shall be 4 inches except for sidewalks within driveway areas which shall be 6 inch depth of concrete with two layers of welded wire mesh or concrete shall be 8 inches thick with no wire mesh.

Driveway Entrance Construction Notes

Driveway entrance shall have the outside edge raised 1-1/2 inches above the flow line of the gutter. Entrances to public streets shall have a minimum 6 inch 2b stone base, 6 inches of concrete with 2 layers of welded wire mesh or be 8 inches of concrete with no wire mesh. Residential Driveway entrances shall be a minimum of 10 feet wide and be no wider than 20 feet at the right of way of the public road. Residential driveway entrances shall be of the depressed curb-ramp type. No material shall be placed in the cartway adjacent to the curb and entrance area which shall in anyway impede the flow of storm water.

Curb Construction Notes

Curb replacement to be of the vertical type or to match the existing curb. Curbs are to have a minimum of 4 inch depth of 2b stone base.

All Concrete shall have a minimum compressive strength of 3,500 psi.

Please visit the Township website at www.Springtwpberks.org for additional information regarding Curb/ Sidewalk Specifications.

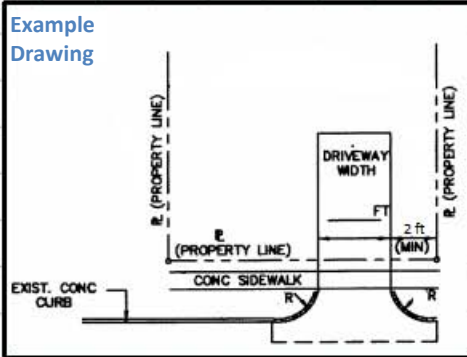
The Applicant Certifies that all the information given is correct and that all Township Ordinances will be complied with.

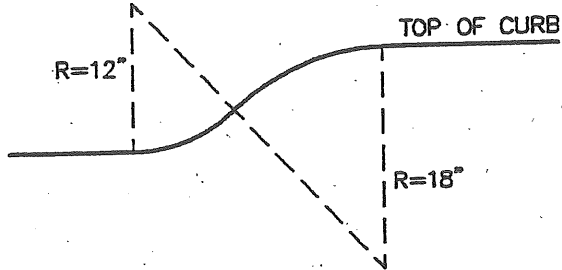
Applicant Signature _____ Date _____ Approved _____

Permit Fee _____ Issue Date _____ Denied _____

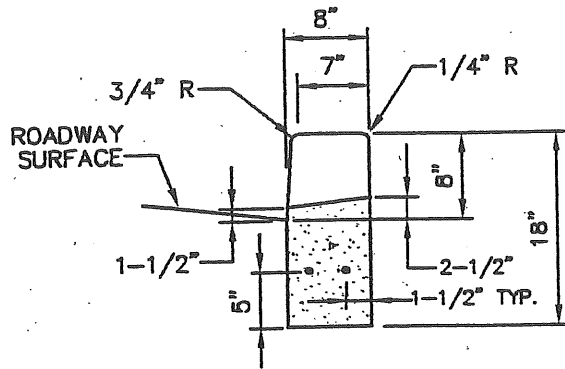
Location of Improvements

Please indicate on the graph paper below the location of the proposed work. Be sure to include property lines, roads, curbs and sidewalks.

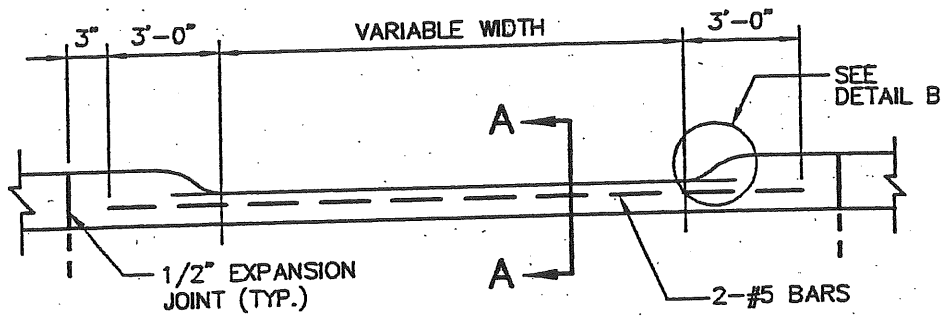




DETAIL B



SECTION A-A



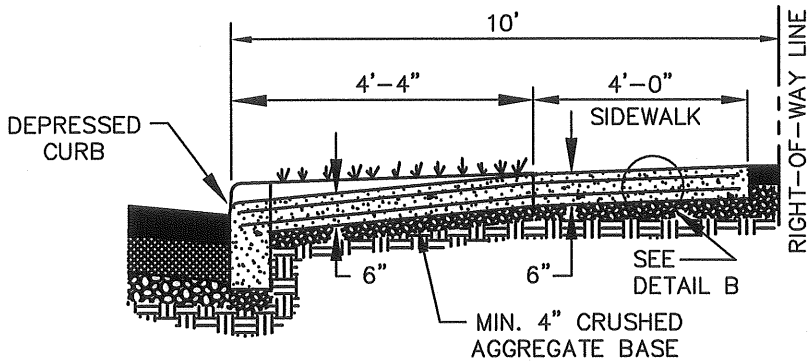
FRONT VIEW

DEPRESSED CURB FOR DRIVES

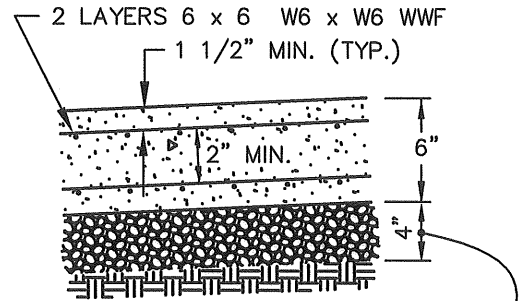
SCALE: NONE

TOWNSHIP OF SPRING
STANDARD DETAIL 02750-3

REINFORCED METHOD

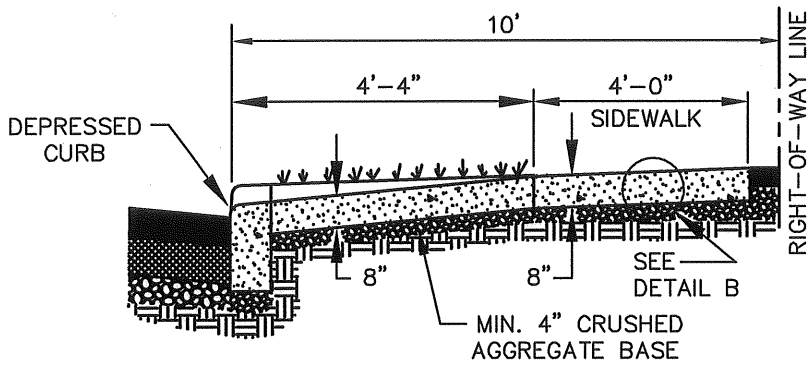


SECTION A-A
NO SCALE

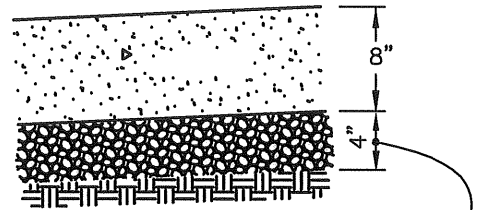


DETAIL B
NO SCALE
AASHTO NO.57
OR PENNDOT
NO. 2B

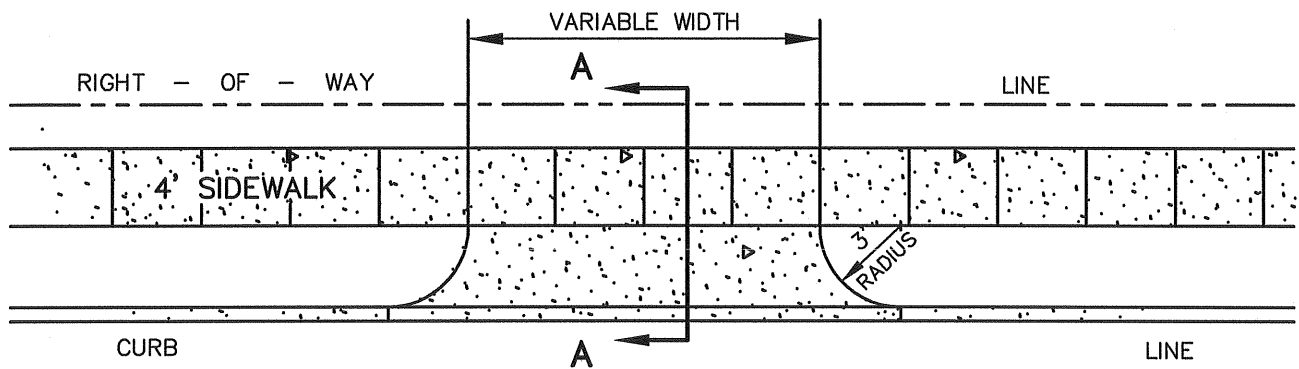
NON-REINFORCED METHOD



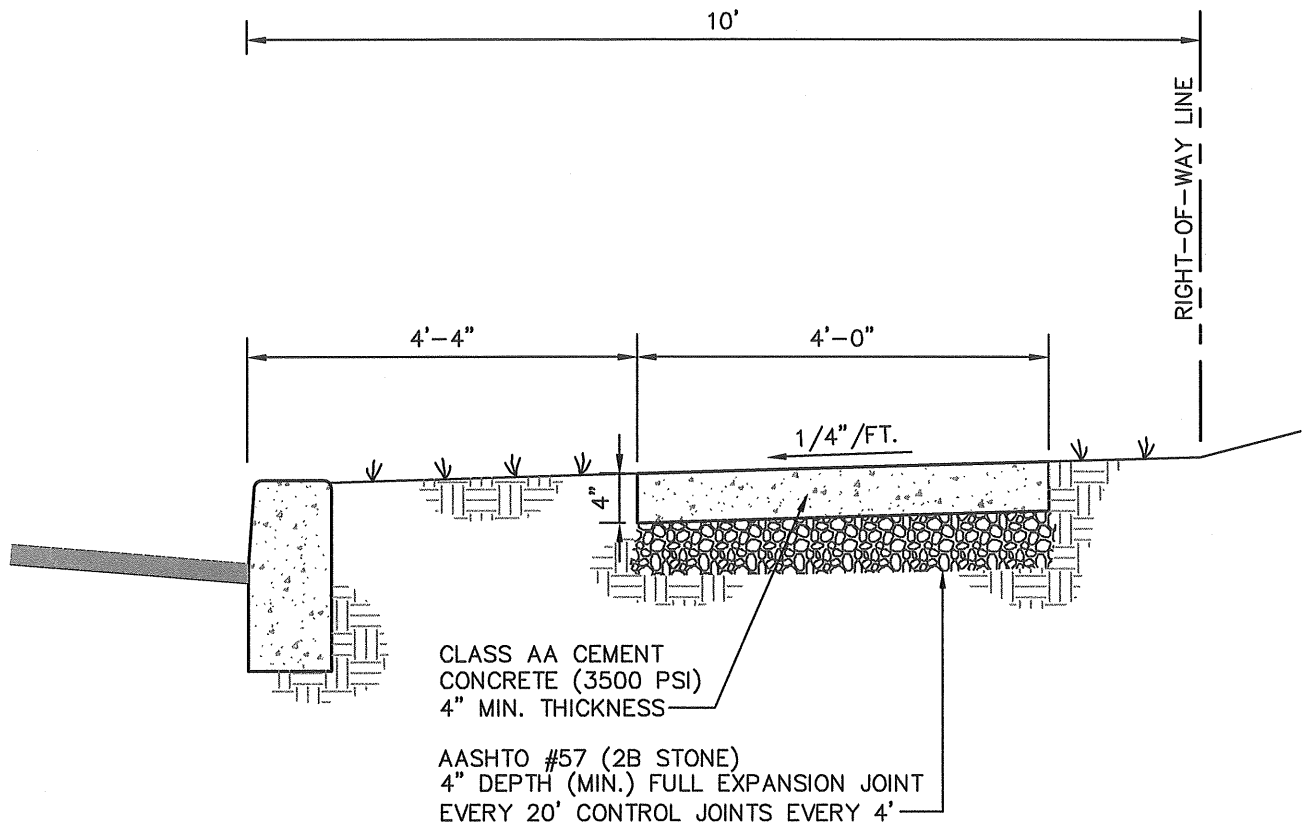
SECTION A-A
NO SCALE



DETAIL B
NO SCALE
AASHTO NO.57
OR PENNDOT
NO. 2B



**RESIDENTIAL DEPRESSED
CURB DRIVEWAY ENTRANCE**
NO SCALE



CONCRETE SIDEWALK
SCALE: NONE

TOWNSHIP OF SPRING
STANDARD DETAIL 02750-5